



# DAVSGEMINI VALVES PVT LTD.

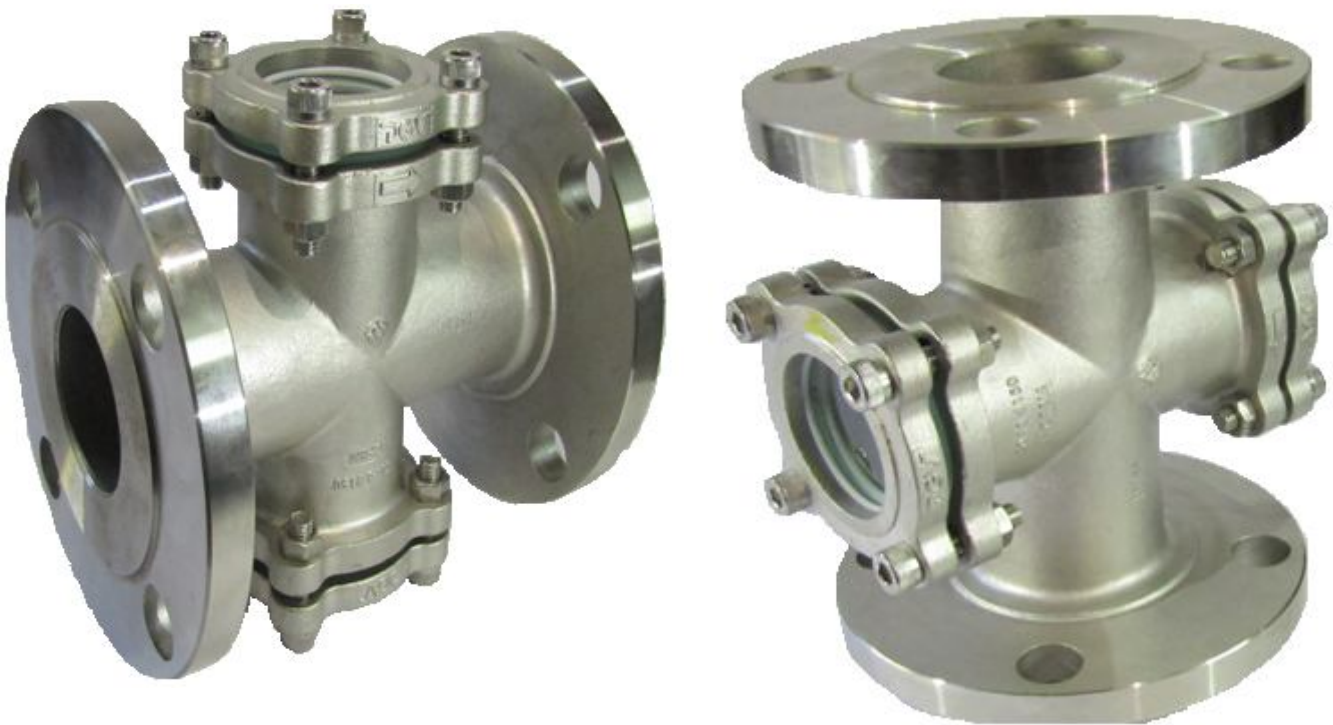
## SERIES 700

### DOUBLE WINDOW SIGHT GLASS VALVE

#### COMPANY PROFILE:

DAVSGEMINI is high-tech Company which professionally Design and Develops DOUBLE WINDOW SIGHT GLASS VALVES. DAVSGEMINI is instituted to manage the quality control systems which assure all our products and service provided will meet the requirements of Valves Standards.

At DAVSGEMINI we believe in youthful power and creativity to establish our reliable quality and services our products are widely applied in various industrial fields, like paper making chemicals, environmental production light industry, pharmacy, building automations, oil & gas etc.



[www.davsgeminivalves.com](http://www.davsgeminivalves.com)

# DAVSGEMINI VALVES PVT LTD.

## SERIES 700

### DOUBLE WINDOW SIGHT GLASS VALVE

#### PRODUCT DESCRIPTION :

Sight Flow indicators are commonly used in pipeline across industries to observe flow.

Double Window Type Sight Flow Indicators provide durable, quick and an economical way to verify the flow of liquids through industrial process lines. They are used in process lines having high pressure and temperature conditions and so are made from cast construction and fabricated design, to meet an industrial requirement of various applications and contain two toughened glasses mounted opposite to each other better visibility.

While most applications require just visibility of flow, at times Sight Flow indicators can also be used for dual purpose i.e. flow observation as well as heating / cooling of the process media. For such application, the Double Window Sight Flow indicators are provided with a jacket. The jacket is a separate cavity completely isolated from the central hole where the process fluid flows. The jacket has separated inlet and outlet connections for utility. Depending on application, the jacket can be used to either heat or cool down the process fluid. Since the wall is made of metal, heat is conducted easily from the jacket to the process media. Double Window Type Sight Glass is very easy to maintain, since it requires only replacement of glass without dismantling the whole sight glass assembly from process line.

#### SPECIFICATIONS :

Design standard: ASME B 16.34

Face to Face Standard: As per ASME B 16.10

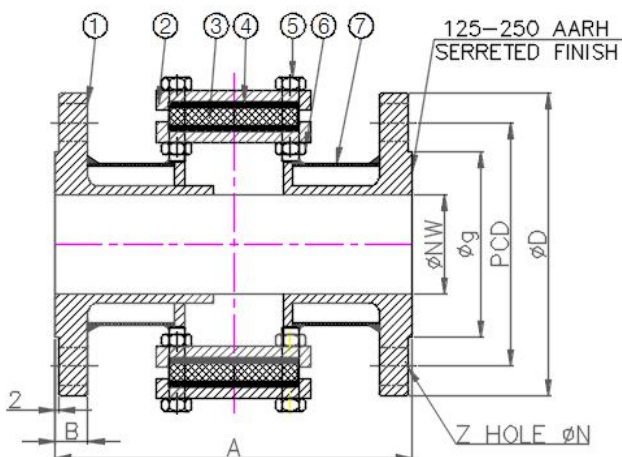
Pressure Rating: - class150 Full Bore

Flange Standard: ASME B16.5 #150

Testing standards:- API 598

Testing pressure: PN10/PN16

Sr.	Description	Material
1	BODY	WCB/CF8/CF8M/CF3M
2	MOUNTING FLANGE	WCB/CF8/CF8M/CF3M
3	GLASS	BORISILE TOUGHENDED
4	SEAL	PTFE/GRAPHITE
5	BOLT	SS304/SS316/MS
6	NUT	SS304/SS316/MS
7	JACKET	SS/MS



SIZE	Dimensions Data in mm							
	A	ØNW	ØD	Øg	B	PCD	ØN	Z
15	108	11	90	34.9	10	60.3	16	4
20	117	17	100	42.9	10.9	96.9	16	4
25	127	23	110	50.8	11.6	79.4	16	4
40	165	37	125	73	14.7	98.4	16	4
50	178	49	150	92.1	16.3	120.7	19	4
65	190	65	180	104.8	17.9	139.7	19	4
80	203	76	190	127	19.5	152.4	19	4
100	229	98	230	157.2	24.3	190.5	19	8
150	267	148	280	215.9	25.9	241.3	22	8



# DAVSGEMINI VALVES PVT LTD.

## SERIES 700

### DOUBLE WINDOW SIGHT GLASS VALVE

#### Features' :

- High visibility, hence easy and quick inspection
- Suitable for high temperature applications
- Easy replacement of glass without dismantling the complete sight glass
- Toughened Borosilicate glass for additional safety
- Durable Construction / Manufactured to the highest standards
- No Rotating parts – no maintenance
- Sturdy and durable construction

#### APPLICATIONS :

- Pharmaceutical ,Chemical, Petrochemical , Agrochemical , Food & Dairy , Marine Industry, Electric Utilities, Fertilizers, Steel, Oil & Gas, Water treatment Petroleum/Refinery, Process equipment, dyes and Pigments.



# DAVSGEMINI VALVES PVT LTD.

REGD.OFFICE

SAHIL RESIDENCY FLAT NO.3 BLDG A,B –WING SECTOR NO.9

PLOT NO.17 MOSHI PCNTDA PUNE41205

[sales@davsgeminivalves.com](mailto:sales@davsgeminivalves.com)

[info@davsgeminivalves.com](mailto:info@davsgeminivalves.com)

[www.davsgeminivalves.com](http://www.davsgeminivalves.com)

[www.davsgeminivalves.com](http://www.davsgeminivalves.com)